



PRODUCT CALCULATION

PO# _____

Date: _____ Customer Name: _____ Store Name : _____

Matching A Previous Job Yes No Date of Previous Purchase _____ Previous P.O. # _____

SIDING PROFILE

Siding sizes are nominal

- 1x6 Rabbeted Bevel (2.46 lin ft = 1 sq ft.)
- 5/8 x 6 Clapboard (2.75 lin ft = 1 sq ft.)
- 1 x 8 Board & 1x3 Batten (1.5 lin ft = 1 sq ft.)
- 1x6 Cove (2.46 lin ft = 1 sq ft.)
- 1x6 V-Joint (2.46 lin ft = 1 sq ft.)
- 1 x 8 Rabb. Bevel (1.8 lin ft = 1 sq ft.)
- 1 x 8 Channel (1.9 lin ft = 1 sq ft.)
- 1x4 V-Joint (4.1 lin ft = 1 sq ft.)

SIDING CALCULATION

Calculate total square footage of walls, deduct window & door openings and add 5%, then multiply the answer by the factor above to get total lineal feet required to cover.

QUANTITY (LF)

SIDING COLOR NAME

_____ CCS# _____

Extra A B Clear _____ Boxes (EWC Shingles: 4 boxes = 100 sq.ft. based on 5" exposure)
SHINGLE COLOR NAME _____ **CCS#** _____

TRIMS *



	QUANTITY	COLOR / CCS #
Item (A) 5/4" x 5 1/8" - 16'	_____ EA	_____
5/4" x 5 1/8" - 10'	_____ EA	_____
5/4" x 3 1/8" - 10'	_____ EA	_____
Item (B) 1 3/8" x 1 3/8" - 10'	_____ EA	_____
Item (F) 5/4" X 3 1/2"	_____ LF	_____
5/4" X 4 1/4"	_____ LF	_____
Item (D) 5/4" x 5 1/2"	_____ LF	_____
Item (G) 5/4" x 7"	_____ LF	_____
5/4" x 9"	_____ LF	_____
Item (C) 5/4" x 7" - Skirt Board	_____ LF	_____
Item (E) 5/4" X 2 1/4" Crown	_____ LF	_____
Item (H) 5/4" X 2 1/2" Sill	_____ LF	_____
Item (I) 1" x 6" Vented Quick Soffit	_____ LF	_____
Item (J) 1" x 6" V-Joint	_____ LF	_____
Item (K) 11/16" x 1 5/8"	_____ LF	_____
11/16" x 2 1/2"	_____ LF	_____
11/16" x 3 1/2"	_____ LF	_____

* Trims sizes are actual

304 Stainless Steel Nails
(316 Stainless Steel Nails available for use in extreme moisture conditions)

2 1/2" Siding Nails / 5 lb box / 900 LF Siding _____ Boxes _____

3 1/4" Trim Nails / 5 lb box / 275 LF Trim _____ Boxes _____

Siding: Touch up paint - 1 Litre Cans _____ LT _____

Trim: Touch up paint - 1 Litre Cans _____ LT _____ (Minimum 4 litres touch-up per house)

PT Lath: 3/8" x 1 1/2" x 4' (50 pcs/bundle = 200 LF) _____ Bundles _____

PT Strapping: 1" x 2 1/8" x R/L _____ LF _____

304 Stainless Steel Staples

1 1/2" Shingle Staples 5000 pcs / box _____ Boxes _____
(16 gauge - 7/16" crown)

Cape Cod

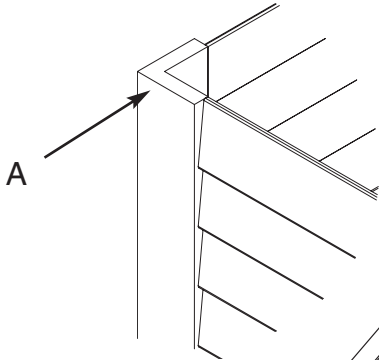
Finished Wood Siding

Order Information Form

1-800-565-7577

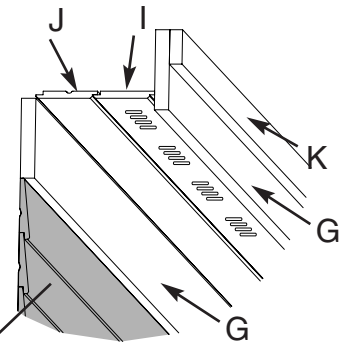
OUTSIDE CORNER

Quickcorner

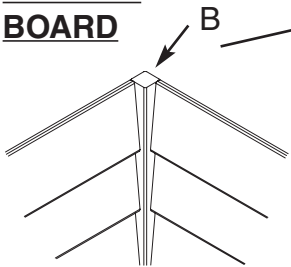


ROOF OVERHANG DETAIL

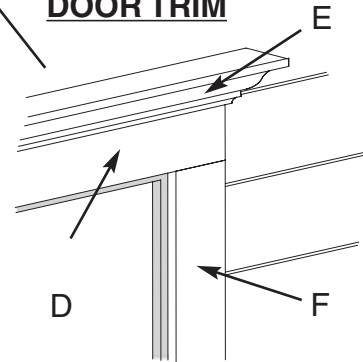
Quicksoffit



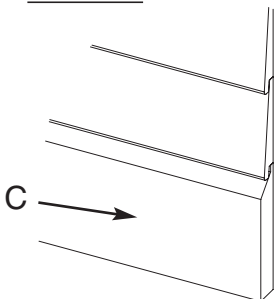
INSIDE CORNER BOARD



WINDOW / DOOR TRIM



SKIRT BOARD



WINDOW TRIM

